

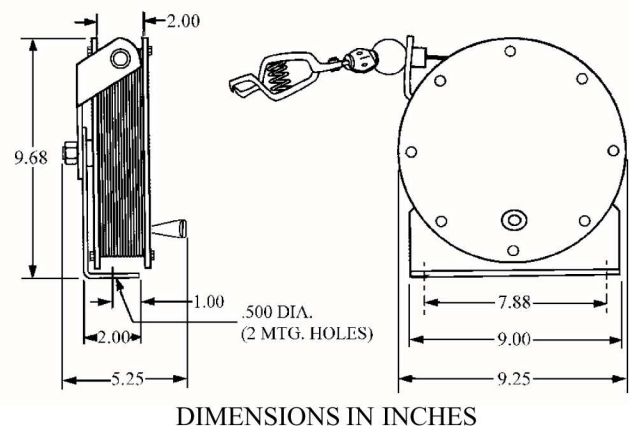
Manual Rewind Static Reel with break-away clamp

These rugged hand-wind static grounding reels are designed as an economical and easy to maintain alternative to our automatic rewind reels. In addition to a lower up-front cost there are also fewer parts to maintain over the service life.

The RMYP75Z1 model is uniquely assembled for added safety by creating a built-in fail point which will allow the clamp to separate from the reel if sufficient force is applied - for example if the operator fails to unclamp before driving away.

RMYP75Z1 SPECS:

- + Yellow hand wind reel
- + Yellow PVC coated cable
- + Alligator clamp
- + Break-away connection at clamp end



For more information about our other lines of portable electrical equipment for the toughest workplaces:

www.lindequipment.net | info@lindequipment.net | T: 877.475.LIND