

HAND-WIND STATIC GROUNDING/BONDING REELS

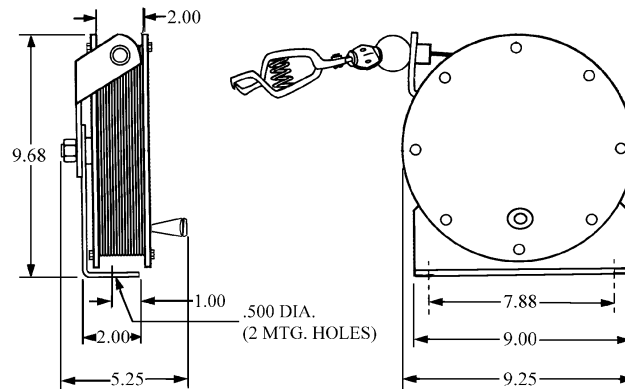
ML2930 series static grounding/bonding reels are used when combustible materials are transferred between vessels or containers. For applications where a discharge of static could cause a spark and subsequent explosion, such as during aircraft refueling or the loading/unloading of tank cars, storage tanks, and trucks.

These ruggedly constructed reels are an economical alternative to automatic retracting reels. In addition to lower initial cost, there are fewer parts to maintain for years of trouble-free service. ML2930 series hand-wind reels also offer highly compact storage of a wide range of cable lengths up to 150'.



SPECIFICATIONS

STANDARD CLAMP:	100A solid copper alligator clip
ELECTRICAL RESISTANCE:	5 ohms maximum between clamp and mounting base
WEIGHT WITHOUT CABLE:	9 lb.
WEIGHT OF CABLE:	0.25 lb. per 25'
FINISH:	Yellow oven cured enamel
CAPACITY:	125' with 5/32" O.D. cable 150' with 1/8" O.D. cable



DIMENSIONS IN INCHES

PART NO.	CABLE LENGTH	CABLE TYPE
ML2930-MY50	50'	Yellow Hytrel coated plated steel, 3/32" ID coated to 5/32" OD
ML2930-MC50	50'	Clear PVC coated plated steel, 3/32" ID coated to 1/8" OD
ML2930-MY75	75'	Yellow Hytrel coated plated steel, 3/32" ID coated to 5/32" OD
ML2930-MC75	75'	Clear PVC coated plated steel, 3/32" ID coated to 1/8" OD
ML2930-MY100	100'	Yellow Hytrel coated plated steel, 3/32" ID coated to 5/32" OD
ML2930-MC100	100'	Clear PVC coated plated steel, 3/32" ID coated to 1/8" OD
ML2930-MY125	125'	Yellow Hytrel coated plated steel, 3/32" ID coated to 5/32" OD
ML2930-MC125	125'	Clear PVC coated plated steel, 3/32" ID coated to 1/8" OD
ML2930-MC150	150'	Clear PVC coated plated steel, 3/32" ID coated to 1/8" OD

NOTE: Other cables, clamps, and wyes available on request.