

## HEAVY DUTY MOTORIZED CORD REEL

### LE9900 SERIES REELS

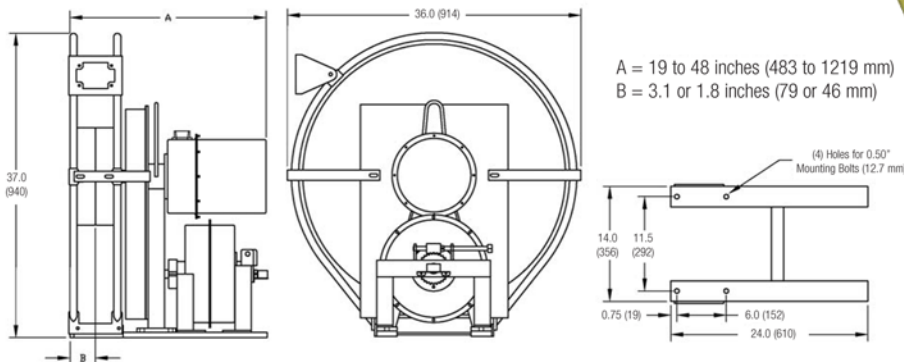
Motorized large cable reel for overhead cranes, conveyors, bridges and other heavy duty applications. Single and dual motor versions available based upon requirements.

- All steel modular construction
- Roller guide able to be mounted anywhere along a 345 degree arc
- Lifetime lubricated spring motor canister(s) with quick-change feature

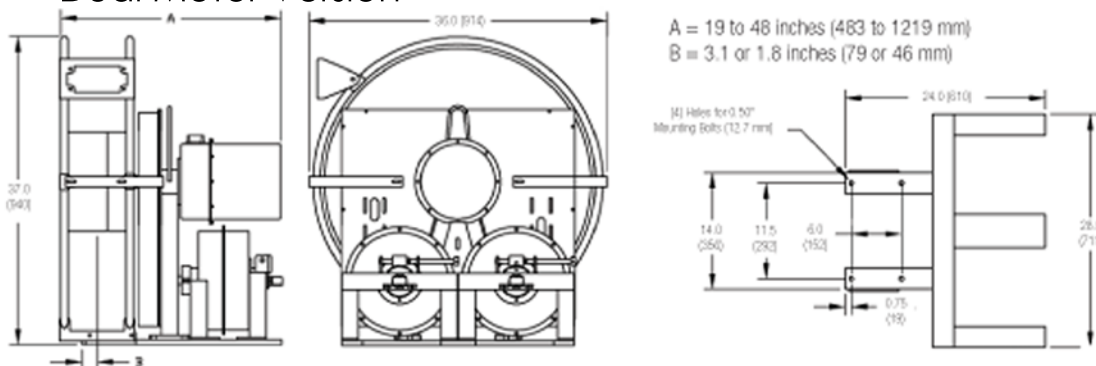


Single motor version shown

#### Single Motor Version



#### Dual Motor Version



For more information about our other lines of portable electrical equipment for the toughest workplaces: