

# Lind Equipment L61

## INSTALLATION INSTRUCTIONS AND REPAIR PARTS LIST FOR L61

### MOUNTING

The L61 is designed for wall mounting and requires a flat vertical surface 5" wide and 7" high. If a large number of fixtures are to be installed, we suggest removing the support bracket from one fixture for use as a template to locate mounting holes. Four 3/8" bolts are required for mounting.

For the most efficient operation, we suggest mounting the fixture so that the light head, in a level position, can be placed into the top corner of the lowest trailer utilizing the loading location. It should also be mounted as close to the door or opening edge as is practical. For safety, the wall bracket should be mounted high enough to be out of the way of pedestrian and equipment traffic. Do not mount in a manner that will allow the wall arm to be trapped under an overhead door as it is closing. The fixture should be mounted where it will not be directly exposed to the elements. Recommended mounting height is 78" or higher.

For accessibility, note the location of the switch before mounting.

### WIRING

Install the male plug from the arm assembly into the nearest 120VAC supply outlet. A rocker-type switch is built into the arm to allow the light source to be switched on and off without unplugging the unit.

### CAUTION

All wiring should be done by licensed electricians in accordance with local codes, state codes, as well as NEC (National Electric Code) standards. Improper installation or use may result in serious injury.

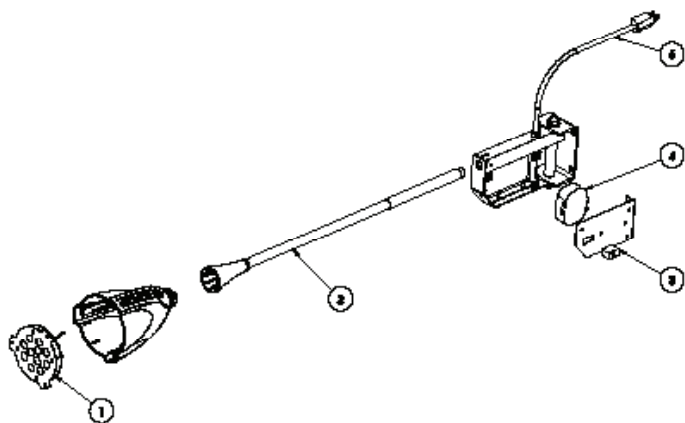
### AIMING

Install fixture according to "Mounting" instructions above. Position the fixture with the arm in a straight line. Place one hand on the light head and the other hand on the flexible arm. (Please reference the Installing and Aiming sheet also included in the packaging.)

For optimal performance and durability, the fixture is designed to be positioned in one long continuous curve.

- Do not overbend or kink the flexible arm
- Do not attempt to lubricate the flexible arm
- Do not force sharp bends at either endpoint
- Do not fold flexible arm back to rest light head on reinforced arm as this will damage the flexible arm

### REPAIR PARTS



ITEM	DESCRIPTION	PART NO.
1	LED ASSEMBLY	L61-P1
2	FLEXIBLE ARM	L61-P2
3	ROCKER SWITCH	L61-P3
4	DRIVER	L61-P4
5	SUPPLY CORD	L61-P5



## LIMITED WARRANTY

Lind Equipment Ltd. warrants that its products are free from defects in materials and workmanship for a period of one year from original purchase. Product abuse, normal wear, and consumable items (including light bulbs, batteries, and gaskets) are excluded.

This one-year warranty is in lieu of all other warranties, obligations, or liabilities expressed or implied by the company. Any properly installed Lind Equipment product that proves defective in normal use will be repaired or replaced at Lind Equipment's option.

Warranty may be void if unauthorized service has been performed on the product. Lind Equipment shall have no responsibility for the installation of Lind Equipment products or for any personal injury, property damage, any incidental, contingent, or consequential damages of any kind resulting from defects in Lind Equipment products, or failure for Lind Equipment products to function.

Many localities have codes and regulations governing sales, construction, installation, and/or use of products for certain purposes, which may vary from those in other localities. Lind Equipment cannot guarantee compliance with such codes, and cannot be

responsible for how the product is installed or used. Before purchase and use of a product, please review the product application, and national and local codes and regulations, and ensure that the product, installation, and use will comply with them.

Lind Equipment has made a diligent effort to illustrate and describe the product accurately in its literature, however, such illustrations and descriptions are for the sole purpose of identification, and do not express or imply a warranty that the product is merchantable, or fits a particular purpose, or that the product will necessarily conform to the illustrations or descriptions.

Implied warranties (if any) are limited in duration to a period ending one year from the date of original customer purchase. The exclusive remedy for breach of the limited warranty contained herein is the repair or replacement of the defective product at Lind Equipment's option. In no case shall Lind Equipment's liability under any other remedy prescribed by law exceed the purchase price.

For products in need of repair that is not covered by the above warranty, please contact your distributor that you purchased it from. Distributors, please contact Lind Equipment for a Return Goods Authorization (RGA) number.