



100

50,4

100

ZERO

SPAN

ERROR

3-wire

4-wire

Range I
Range II

0...20 r
4...20 r

interface

Passive Interface



Passive interface

interface

Control signals are carried from prefabricated cable harnesses to terminal connections.

Interface modules

Interface modules make the connection between electronic and electrical components within the control panel.

The use of Wieland interface modules provides the following benefits for system wiring:

- Simple process which saves time during design and calculation
- Rapid wiring, commissioning and trouble shooting due to clear cabling and pole designations
- Reduction of wiring errors
- Space savings due to high density terminations

The interface modules are standardly fitted with a mounting foot for DIN / EN mounting rails TS 35 or TS 32.

Available interface modules:

Subminiature D-SUB connectors in accordance with DIN 41652

Subminiature connectors are increasingly used in telecommunications engineering, text and data processing as well as in measurement and control engineering.

The typical trapezoidal metal protective shrouds (galvanized and yellow passivated steel) that are used for this range of connectors guarantee that poles are connected correctly.

The metal shroud is connected to a terminal to ensure a reliable ground.

IDC header in accordance with DIN 41651

The flat cable connectors are used more frequently at the interface between the electronics and conventional electrical components.

The use of locking brackets in various lengths prevents the socket connector from being separated from the plug connector due to vibration.

Central polarization prevents any incorrect connections.

Further customer-specific interface modules are available on request.

Passive interface

Flat cable to screw terminal

interface



IDC connector to screw terminal

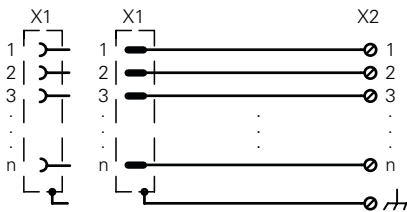
Approvals: cULus
in preparation UL
Overall width x 80 x 61

Number of poles	Overall width (mm)	Type	Part No.	Std. Pack	
10	48.2	FLK-SR10	87.210.2201.3	1	
14	48.2	FLK-SR14	87.210.2202.3	1	
16	61.1	FLK-SR16	87.210.2203.3	1	
20	61.1	FLK-SR20	87.210.2204.3	1	
26	70.8	FLK-SR26	87.210.2205.3	1	
34	93.1	FLK-SR34	87.210.2207.3	1	
40	109.0	FLK-SR40	87.210.2208.3	1	
50	131.7	FLK-SR50	87.210.2210.3	1	
60	160.5	FLK-SR60	87.210.2211.3	1	
64	173.8	FLK-SR64	87.210.2212.3	1	
Technical data					
Maximum nominal voltage		60 V AC / 75 V DC			
Maximum nominal current		1.0 A			
Wire range					
fine-stranded		0.5 – 2.5 mm ²			
solid		0.5 – 4 mm ²			
Ambient temperature		0...+50 °C			
Installation of mounting rail		TS 35 or TS 32			
Standards/specifications		VDE 0110b Gr. 2			
Terminal strip X2		Typ 8191E (x poles)			

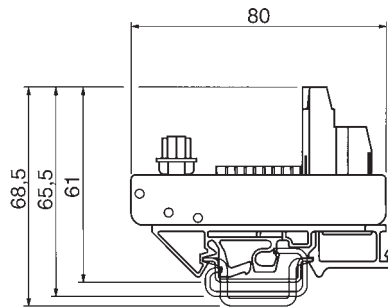
interface

D-Sub connector to screw terminal

Wiring diagram

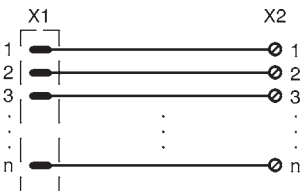


Dimensions



IDC connector to screw terminal

Wiring diagram



Dimensions

