

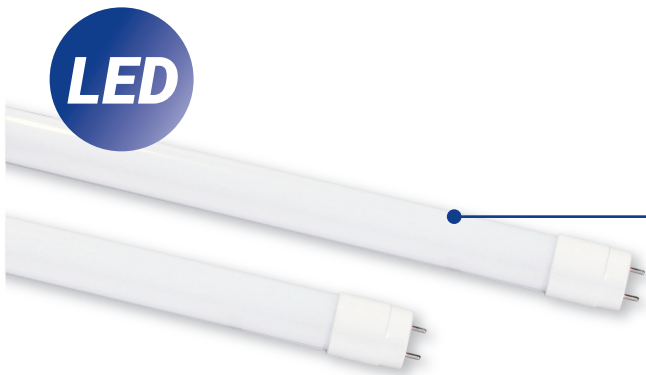
48"

LED SHOP LIGHT

NOW AVAILABLE: A versatile 48" LED shop light suitable for work shops, garages and work areas requiring a high level of illumination.

Pre-fitted with two (2) LED replaceable T8 type 18W tubes, with a combined output of 3000 lumens and a color temperature of 4000k.

25,000 hour lamp life, 3 year limited warranty.



INCLUDED!
2X REPLACEABLE LED TUBES

See reverse for specifications

Contact your NDR representative for more information: 1-855-739-8228

Visit our website ndrelectric.com

48"

LED SHOP LIGHT

TECHNICAL INFORMATION

PER UNIT

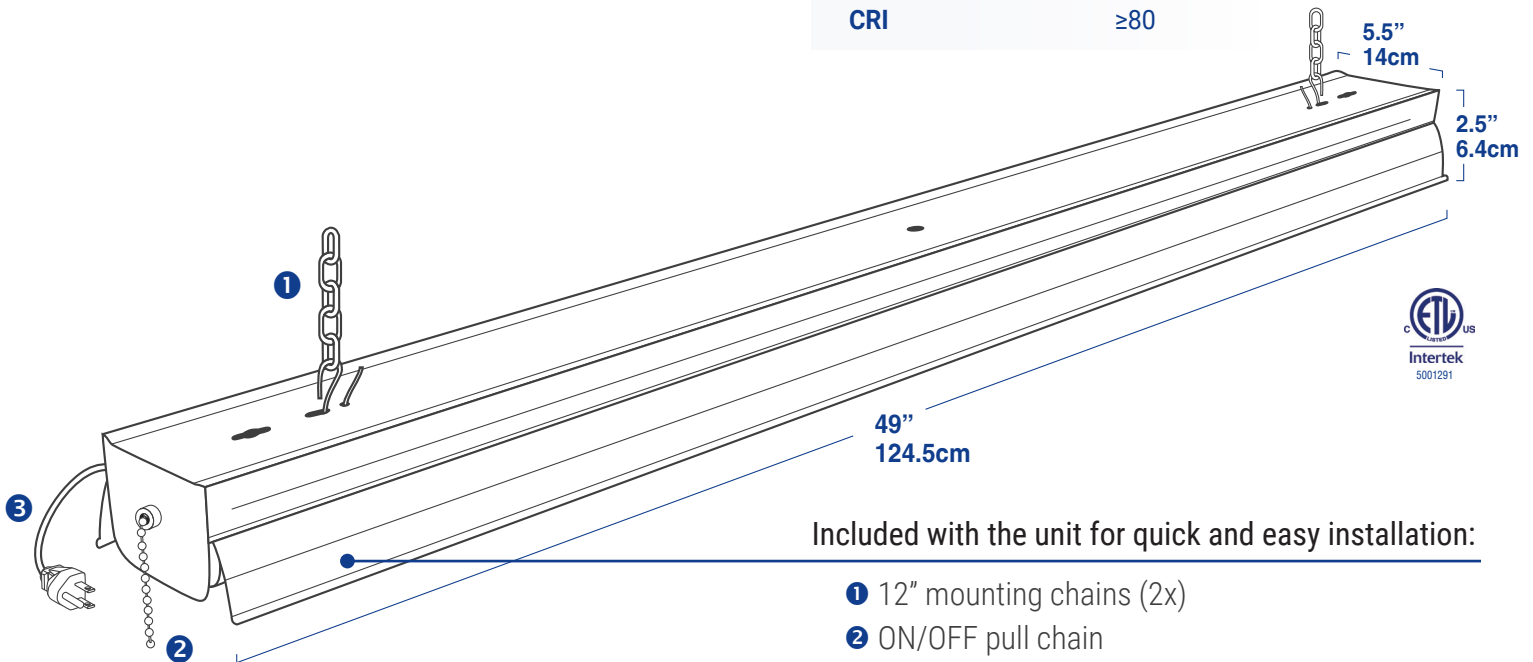
VOLTS 120V

LUMENS 3,000

WATTS 36W

COLOR TEMP 4000K

CRI ≥80



Included with the unit for quick and easy installation:

- ❶ 12" mounting chains (2x)
- ❷ ON/OFF pull chain
- ❸ 5' power cord with plug

SPECIFICATIONS

MODEL NUMBER	NOMINAL SIZE	NUMBER OF LAMPS	LENGTH	WIDTH	HEIGHT
SL2LED48-40K-WH	4'	2	49" (124.5cm)	5.5" (14cm)	2.5" (6.4cm)